

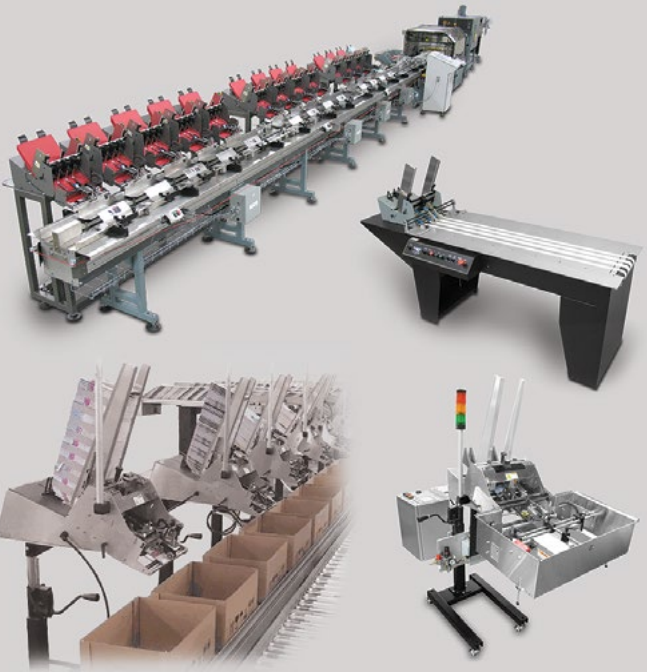


Streamfeeder

by **BW** Flexible Systems

Solutions Catalog

Automation Solutions for Packaging,
Distribution, Printing and Direct Mail



Streamfeeder offers automation solutions for the packaging, distribution, printing, mailing and fulfillment industries. Whether it's a single friction feeder, or a complete integrated system, we have the expertise and tools to improve your productivity and throughput.



Contact Us:

For more information about Streamfeeder Feeder solutions, products, and services.



Streamfeeder

by **BW** Flexible Systems

315 27th Avenue NE
Minneapolis, MN 55418 USA

2022.02

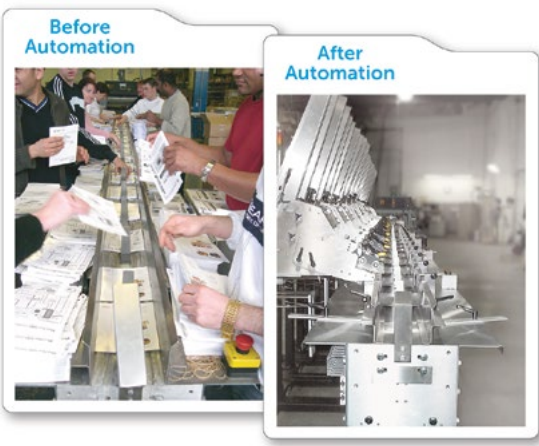
Telephone: **(763) 502-0000**
Fax: **(763) 502-0100**
Email: **info@streamfeeder.com**

www.streamfeeder.com

Table of Contents

Collating / Kitting	4
Batch Counting.....	5-7
Order Fulfillment / Warehouse Distribution	8
Barcode Verification	9
Pharmaceuticals / Medical.....	9-10
Food / Bakery / Confectionary.....	11-12
Flexible Material Feeding	13
Labeling / Coding / Printing.....	14-16
Bag Tagging	17
Tip-On / Affixing / Card Attaching	18
Mail Inserting.....	19-20
Mail Inkjetting / Tabbng	21-22
Envelope Sealing	23
Conveyors.....	24-25
Flighted Conveyors	24
Shingling Conveyor	25
Auto-Loader	26-27
Bump-Turn.....	28
Accessories.....	29-30
Mounting Stands	30
Business Overview ... 	32
Notes.....	33

Is Manual Collating Labor Eroding Your Profits?



Has finding reliable manual labor been difficult and costly? Eliminate hand gathering of products with our customizable collation systems. Whether your job has two pieces or twenty, these systems are flexible in design to meet your job requirements.

Our systems are modular; feeders and conveyors can be added as your business grows, quick to change over, and easily integrated with shrink wrappers, cartoners, polybaggers, flow wrappers and more.



Replace Manual Counting, Spearing, and Weighing



Automate your batch counting operations with this on-demand feeder and batch tray. Simply remove the finished batch and place into your semi-automatic L-bar sealer, bander, or strapper for accurate, mistake free batches. Tool-less adjustments make for quick set up and maximum versatility.



High-speed, high-performance batch count feeding designed to increase productivity



Wi-Fi

XTR Retractable Dropper
Wi-Fi Enabled

P-1250
Pneumatic Dropper

Maximize your throughput, improve accuracy, and eliminate rework by automating your batch counting jobs.

Automatically count, accumulate and drop stacks of product onto the in-feeds of shrink-wrappers, poly-baggers and banders or directly into totes, cases and cartons. These versatile systems are perfect for paper, card stock, magazines, greeting cards, envelopes, pre-printed forms and more.

Wi-Fi enabled controls allow you to set-up and adjust the XTR from an app on your phone, tablet or laptop. You can view real-time reports allowing you to track productivity, quality and efficiencies.

Business/Pre-printed Forms



Greeting Cards



Stationery/Rainbow Packs



High-Speed Batch Counting for Plastic Cards and Greeting Cards



Improve accuracy and productivity with this high-speed batch counting system. The "star-wheel" dropper design allows for the shortest cycle time in the industry, allowing it to keep up with high-speed packaging systems.

This batch counter is perfect for accumulating stacks of greeting cards, envelopes, gift cards, paint chips, membership cards and more. It can be easily integrated with in-feeds to wrappers, cartoners or banders for a fully automated system. Add an optional barcode scanner for verification and traceability.



Order Fulfillment / Warehouse Distribution

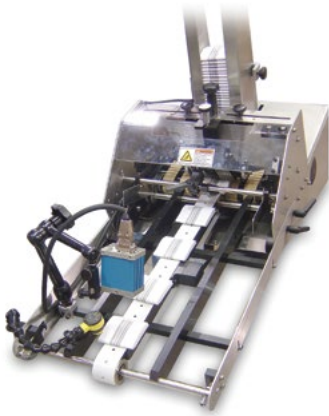


Easily add catalogs, marketing materials, packing slips, coupons, and more to order fulfillment lines. Feed products into cartons, totes and cases or directly into flighted in-feeds. Our simple roll-up design allows maximum flexibility for your changing requirements.

Dispensers can act as stand-alone units or in concert with your WMS. Add one or more feeders either in-line with your conveyor system or to your manual pick stations to improve accuracy and productivity while reducing costly manual labor, errors, and re-work.



Optical Verification for Package Integrity

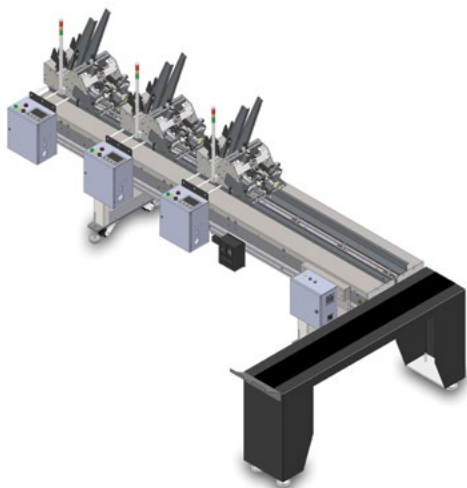


Feed and verify a wide range of products where the quality and accuracy of barcodes, date stamps and lot codes are critical. Perfect for pharma serts, knocked down cartons, labels, plastic cards and more.

Offline and integrated systems are available to accurately separate products, read barcodes, date stamps and lot codes, verify quality and accuracy, and dispense for further packaging processes. Divert options available.



Pharma-Sert Grouping



Pharma-Sert Grouping provides an all-in-one solution to group pharma serts together using fugitive glue. Each feed station reads and verifies the preprinted barcodes and then feeds them one on top of the other creating a stacked set..

An optional divert station removes errant sets prior to exiting onto the belted stacking conveyor.



Flat Cards, U-Cards and 4-Sided Trays



Dispense all types of cards, from standard flat cards to U-cards and 4-sided trays. We have solutions that are specially designed to feed, form and dispense cards and trays for food placement. Dispensers for formed products include folding plows to shape U-cards or forming dies for trays. The card can then be placed on a variety of conveyor streams for product placement and wrapping.

Perfect for microwave susceptor cards and chip board protective cards and trays.



Corrugated Pizza Circle Feeders



The Stainless Steel corrugated circle feeder easily integrates to pizza packaging equipment at speeds up to 130 pies per minute.

The SST Pizza Disc Feeder is wipe-down capable, and when mounted to our adjustable stand with casters, can easily be rolled away from the line when full line wash down is being performed.

Flex Feeder



Streamfeeder's Flex Feeder dispenses difficult-to-feed products that may be flexible, thin or flimsy, uneven or not uniform in shape. Our Flex Feeder solves this challenge by efficiently shingling the product while supporting the entire piece through the feeder.

The Flex Feeder is ideal for operations in food and consumer goods packaging. It automates product dispensing in applications including coding, labeling, ink jet printing, scanning, verification and more. A vacuum transport and optional shingling conveyor can be added to offer a complete system solution.

Versatile Offline Vacuum Table with Feeder



The Vacuum Transport System provides a feeding and conveying foundation for labeling, marking & coding, printing, barcode reading, and so much more. The open bottom table design allows for clearance of stands and control boxes of peripheral equipment. Casters are included to allow the machine to easily be rolled around throughout your production area.



Bar Codes



Lot Codes



Date Codes



Expiration Dates



Images



Indicias

Offline Printing Systems



The EZPrint-1, EZPrint-2 and EZPrint-3 systems are cost effective solutions for static inkjet printing of text messages, date stamps, lot codes, sequential numbers, logos, barcodes, pre-canceled or bulk rate permits, indicias, graphics, and more.

Using standard HP ink jet cartridges, printing is easier and more affordable than ever. Simply create your image or text on the software provided; download it from your PC or laptop computer to the print head and you're ready to print!



Bar Codes



Lot Codes



Date Codes



Expiration Dates

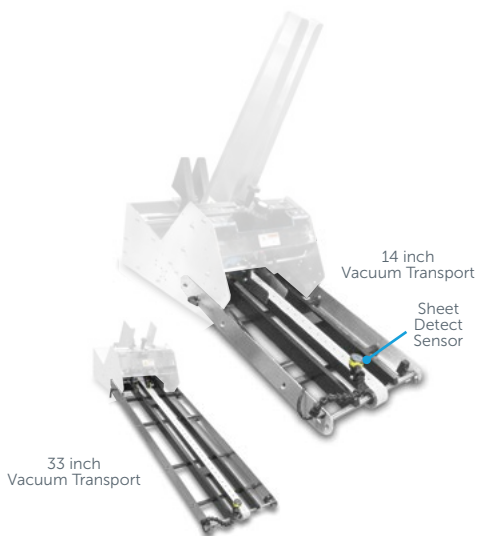


Images



Indicias

Scan, Print, Read, Label, and more...

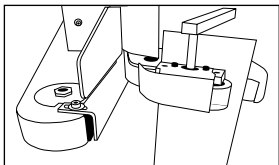


The versatile Vacuum Transport is ideal for applications requiring bar code reading, data scanning, printing, coding, labeling, and more. The transport holds the product to the belt decreasing the chance for skew and increasing accuracy of placement.

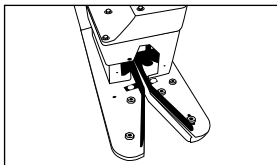
This is a perfect small footprint system that can be used stand-alone, offline or integrated into wrappers, cartoners, etc.



Automate Tag Placement on Filled Bags of Feed, Seed, and more



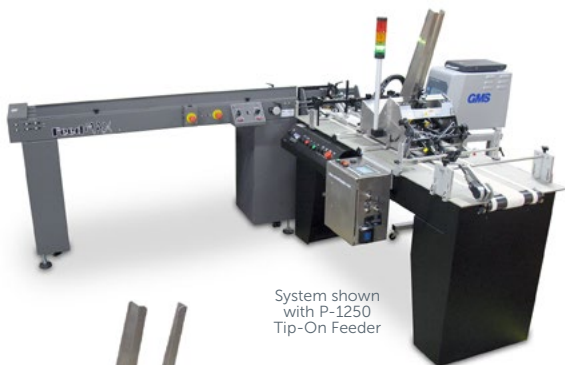
Use the single-stage discharge for infeeds like this



Use the dual-stage discharge for infeeds like this

The Tagger Feeder is the ideal solution for increasing productivity on your large format bag feeding lines for pet food, feed, seed, salt and more. Designed to automatically dispense tags onto the filled bag as the bag enters the sewing machine. Tags can be applied long or short edge leading. Roll up design makes for easy integration.

Automate Tip-on Services



System shown
with P-1250
Tip-On Feeder

IP 7
Tip-On Feeder



Wi-Fi



The Streamfeeder family of tip-on/affixing feeders are available as single feeders or complete turnkey systems.

The IP 7 and IP 10 Tip-on Feeders with Accuracy-Lock technology is designed for high-speed precision placement of products onto carrier targets. The modular design allows IP feeders to be easily integrated into existing equipment such as folder/glue, vacuum bases, mail tables, conveyors, flighted infeeds, tip-on systems, or configured as part of a turn-key attaching system.

Streamfeeder's Accuracy-Lock feature ensures tight placement tolerances at high speeds with one or multiple pieces per carrier. Wi-Fi enabled controls allow you to set-up and adjust the IP Feeders on-the-fly from an application on your phone, tablet or laptop. Management, operators, and maintenance can view real-time diagnostics and reports allowing them to track productivity, quality and efficiencies.

Replace-A-Station Feeders for Swing Arm Inserters



Streamfeeder Inserter Feeders are designed for 6x9 and jumbo swing-arm inserters. They combine flexible performance and variable speed with superior feeding capabilities. Precisely separate, singulate, and present many types of mail inserts to the gripper jaw of swing arm inserters.

Products include z-fold, c-fold, magnets, business cards, open edge leading materials, thin product and much more.

V-710DM
Feeder



Reliant Inserter
Feeder



Add-A-Station Feeders for Swing Arm Inserters

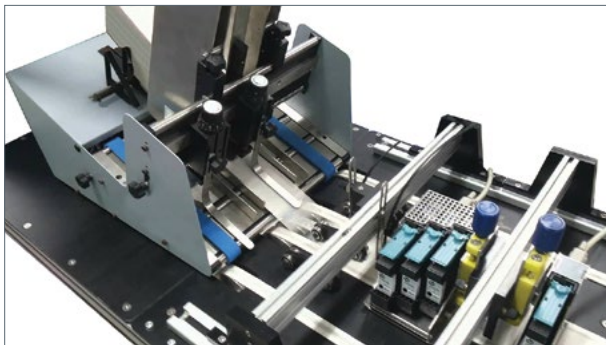


Start using your Add-A-Station feeder by simply clamping the feeder onto your existing inserter's front table and begin inserting.

The Add-A-Station feeder is easy to install, saves space and fits onto today's leading inserters. Turn your six station inserter into a seven, eight or nine station inserter.



Continuous Feeders for Inkjet & Tabber Bases



The Inkjet Feeder Series integrates easily to continuous feed applications, such as inkjet/addressing and tabbing systems. These versatile feeders feature tool-less adjustments which greatly minimize change-over times. Capable of consistently feeding flat and multi-thickness products into mail production streams at high speeds with exceptional alignment.

V-1400IJ
Feeder



V-2000IJ
Feeder



V-900IJ
Feeder



V-710DM
Feeder



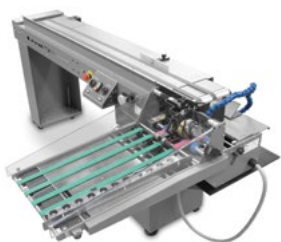
High-Capacity Continuous Feeders for Inkjet & Tabber



Are labor costs eroding your profits? The Streamfeeder high capacity FeedMAX has been designed to maximize operator efficiencies that lead to reduced labor cost. Realize ROI in less than 4 weeks in many cases. Perfect for feeding envelopes, magazines, self-mailers, postcards, leaflets, flyers, folders and more.

FeedMAX is ideal for continuous feed applications such as addressing and tabbing. Create increased feeder capacity for long run jobs. Our adjustable product guide, patented Dynamic Rotation Technology™ and "Shaker" plate help increase product separation and improve alignment.

By aligning the FeedMAX at a right angle, you can create a U-shaped work station that allows a single operator to run an entire job without additional labor.



The FeedMAX-S with registration table, bypasses built in shuttle feeder bases for continuous feed applications.

Moisten and Seal Envelope Flaps



Eliminate manual labor while reducing the time and mess of sealing envelopes with our EFS Pro envelope sealer. The EFS Pro provides consistent feeding and flap sealing. Tool-less adjustments make for quick and easy change overs from job to job.

This desktop system is perfect for various styles of flaps on most commercial envelopes, catalog and booklet envelopes, and announcement envelopes.



Flighted Infeed Conveyors



Ideal for adding automation to equipment such as automatic shrink wrappers, poly-baggers, cartoners, and banders; or manual gathering and collating. Flighted infeeds can be configured for a wide variety of applications and are available from a low cost, roll-around conveyor to our modular heavy-duty design.

Adjustable height provides easy integration to a variety of packaging equipment. Add our feeders, placers and control systems to complete your automation needs.

Variable Speed Shingling Conveyor

Streamfeeder's Shingling Conveyor provides flexibility and versatility wherever product collection is required. The slow-moving design allows collection of products in a shingled manner and the amount of shingle can be controlled by the variable speed control. The high-torque drive system is designed to handle large work-loads ensuring years of dependable operation.



Bulk Product Feeding / Loading



Increase productivity and maximize profits with our AutoStream Auto Loader.

With quick setups, ease of use and a large product loading area, AutoStream provides product for extended periods of run time for high-speed batch counting and other large run applications.

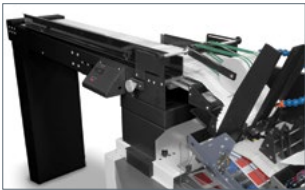
Reduce labor costs by adding autoloaders to multiple feeder installations, such as collation or distribution fulfillment lines, allowing a single operator to attend to several feeders at the same time.



Bulk-Loader for Added Product Stacking Capacity on Flowmaster® Inserters



The bulk autoloader creates high-capacity product loading into existing production streams where high-speed operation requires constant reloading of materials. Ideal for the Pitney Bowes FlowMaster® Inserter, the Bulk Loader will provide extended periods of run time before reloading is required.



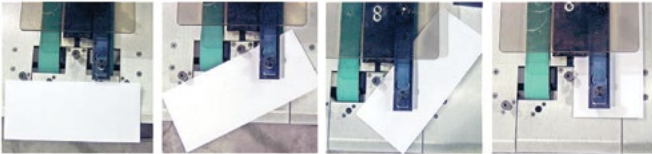
Interfaced with FlowMaster® Inserter

Bump-Turn Conveyor for 90 Degree Product Reorientation



Make your equipment more versatile with our Bump Turn. It runs either as a stand-alone unit or in-line with inkjets, tabbers, folders, stitchers, trimmers and more. Features include angle adjustments, left and right bump turning, variable speed, and multi-bump positioning.

The Bump Turn takes material as it is originally presented and rotates product 90 degrees either right or left at speeds up to 30,000 pieces per hour. Add a second Bump Turn unit to rotate product 180 degrees.



Collator Communications Control



We developed the StreamNet advanced collator communications system as a central control station for the collating system to provide communication integration between the conveyor, feeders, and host systems such as shrink wrappers, flow wrappers, poly-baggers, cartoners and more.

Standard Features include Sequential Start/Stop, Configurable Feeder Location, System Diagnostics, Host Interface, Single Flight Sensor, Line Synchronization, and Inter-pocket Adjustment.

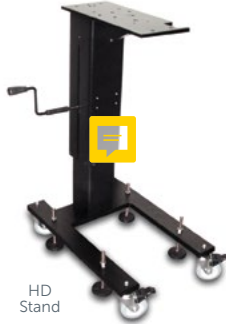


Our FeedNet takes StreamNet to the next level. In addition to all of the features listed above, FeedNet offers divert signaling, job size, down stream inhibit, audible alarm, inter-pocket adjustment, remote access support module, and other optional features available.

Mounting Stands

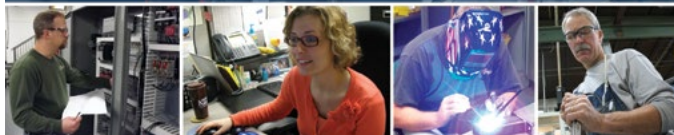


Universal
Stand



HD
Stand

Adjustable mounting stands are available to add even more flexibility and versatility to your Streamfeeder Friction Feeders and Placers. Easily adjust the variable height position depending on the host system requirements. Steel construction will provide years of dependable service.



Who We Are

Streamfeeder is a leader in the design, manufacture and integration of high-speed automation solutions for the packaging, fulfillment, print and mailing markets. But we're much more than that. We're partners, creators, helpers, seekers, contributors, do-ers and improvers.

What We Do

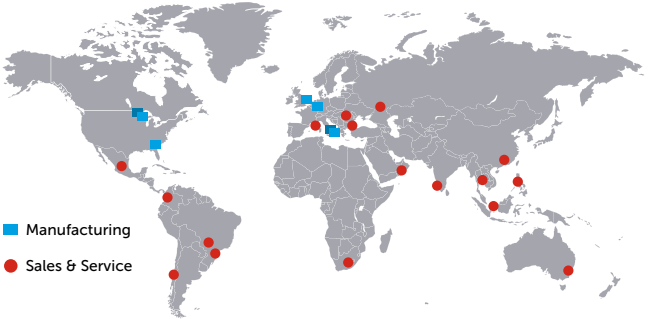
BW Flexible Systems, a division of the Barry Wehmiller packaging group, designs, manufactures and supports a diverse array of innovative, world-class flexible packaging equipment as well as machines & systems for the Mail and Print Fulfillment Industries. Streamfeeder is one of the trusted brands of [BW Flexible Systems](#).

Honoring Customer Trust

Without you, we wouldn't exist. It's that simple. Whether you're a long time customer or a potential customer just browsing, you're important to us. We value the relationship we develop with you and are eager to fulfill your automation needs.



BW Flexible Systems Global Manufacturing, Sales & Service Locations



- Manufacturing
- Sales & Service



Global Headquarters	can SC USA	+1 (864) 486 4000
Minneapolis	MN USA	+1 (763)592-0000
Nottingham	UNITED KINGDOM	+44 (0) 115 967 8787
Mestrino (PD)	ITALY	+39 049 9006511
Monte di Malo (VI)	ITALY	+39 0445 602300
Terneusen	THE NETHERLANDS	+39 0445 602300

BW Flexible Systems is part of the BW Packaging Platform. Through our packaging platform, customers can find more than just a single machine, they can leverage our experience in Primary Packaging, Labeling & Sleaving, Secondary Packaging, and Packaging Systems Integration to create the right solutions for their facilities.

2022.03